

TRUSTED BY INDUSTRY LEADERS, READY TO SERVE YOU:

For the past 100 years, Anchor Danly has consistently produced high-quality die sets, steel plates, machine parts, die set components, and custom metal fabrications, that combine proven technology with rigorous quality control. Our customer-centric approach delivers cost-effective solutions.



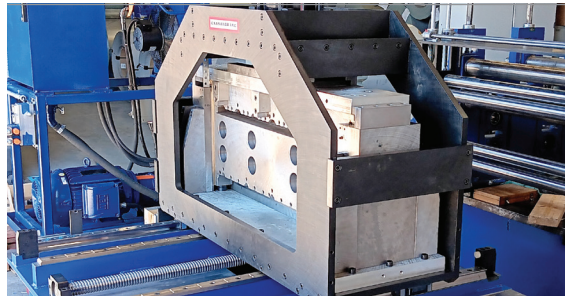
# PRECISION FABRICATION

YOUR TRUSTED PARTNER FOR ENGINEERED STEEL SOLUTIONS



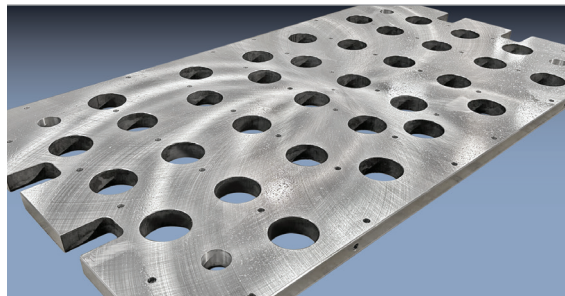
### Vertical Integration:

Anchor Danly offers comprehensive, end-to-end steel plate solutions, including part fabrication, cutting, grinding, machining, welding, assembly, painting, and delivery up to 45,000 lbs. With full traceability and logistics, we handle every step in-house.



### Fabrications:

Since 1956, we've specialized in steel fabrication, offering build-to-print components, machine bases, and metal fabrications. Our services include grinding, stress relieving, CNC machining, welding, and finishing, ensuring precision and quality.



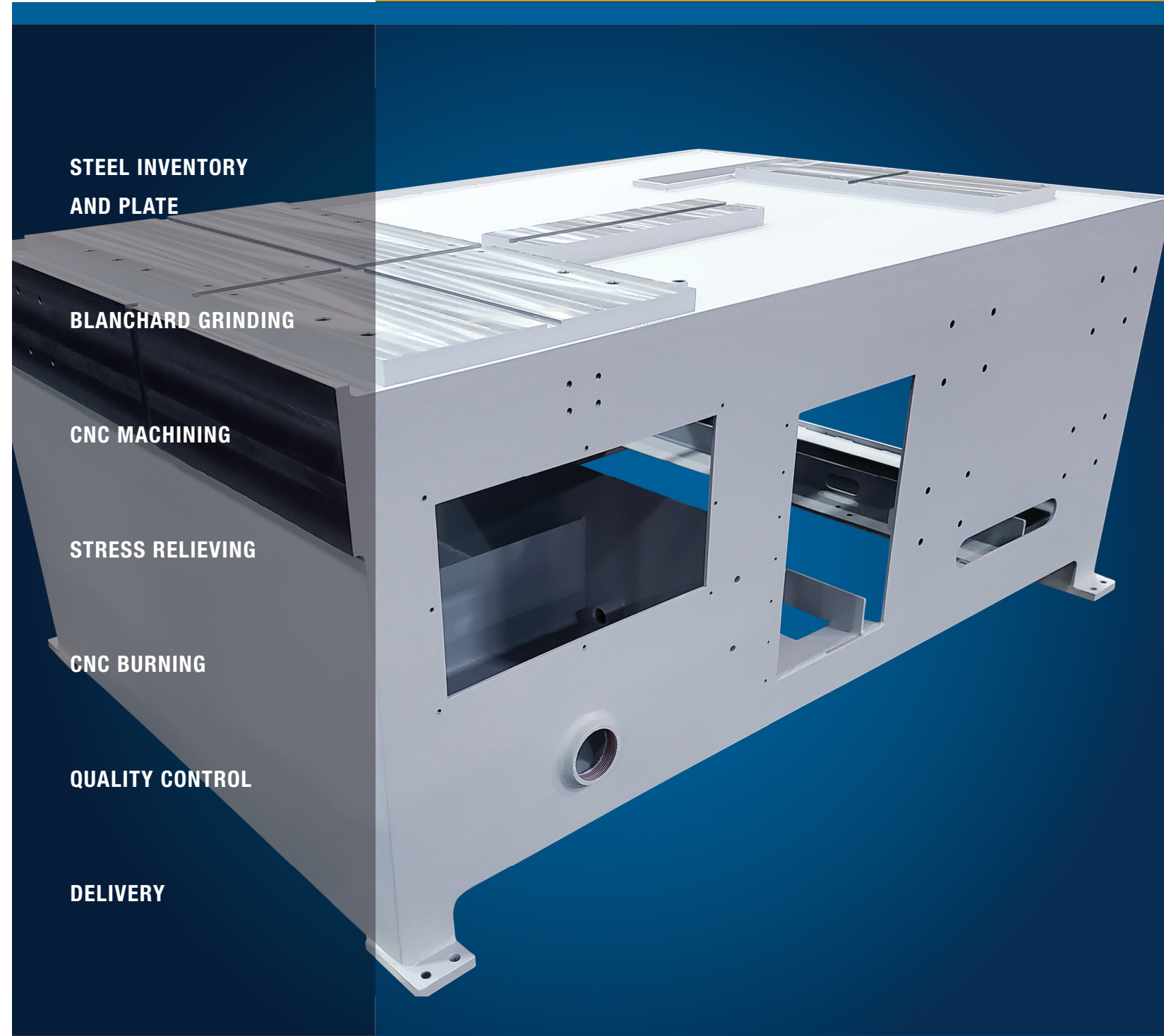
### Precision Machining & Plate:

Since 1922, we've pioneered custom tool and die assemblies, including the first interchangeable guide post die sets. As the OEM for Danly, Lempco, and Anchor die sets, we offer expert support, backed by over 100 years of employee expertise.



### Steel Plate:

With 4,000 tons of steel inventory, Anchor Danly provides steel plate processing, including cutting, machining, and grinding, with full traceability from mill to delivery. We serve customers across North America with on-time delivery.



STEEL INVENTORY AND PLATE

BLANCHARD GRINDING

CNC MACHINING

STRESS RELIEVING

CNC BURNING

QUALITY CONTROL

DELIVERY

AD01-1124



**Corporate Headquarters**  
2590 Ouellette Ave.  
N8X 1L7 Windsor, Ontario, CAN.  
Phone: 519-966-4431  
CAN Toll Free: 1-800-265-5007  
USA Toll Free: 1-800-543-3790  
windsorquotes@anchordanly.com

**Anchor Danly Cambridge**  
311 Pinebush Rd.  
N1T 1B2 Cambridge, Ontario, CAN.  
Phone: 519-740-3060  
CAN Toll Free: 1-800-265-7842  
cambridgequotes@anchordanly.com

**Anchor Danly Ithaca**  
255 Industrial Pkwy.  
48847 Ithaca, Michigan, USA.  
Phone: 989-875-5400  
USA Toll Free: 1-800-243-2659  
ithacaquotes@anchordanly.com

**Anchor Danly Montreal**  
1450 Alphonse D-Roy  
H1W 2K8 Montreal, Quebec, CAN.  
Phone: 514-525-5560  
CAN Toll Free: 1-800-263-5560  
montrealquotes@anchordanly.com

ANCHORDANLY.COM





# Your Partner For Precision Fabrication Services

We specialize in steel fabrication, Anchor Danly has been a trusted provider of high-quality, custom and standard steel fabrications for manufacturers worldwide. With multiple facilities, an extensive machinery base, and capabilities to handle large parts, we continue to lead North America's steel fabrication industry. At Anchor Danly, we are committed to helping our customers remain competitive on a global scale by delivering superior quality, exceptional service, and competitive pricing.

## Global Leaders in Steel Fabrication

### Supply Chain Experts:

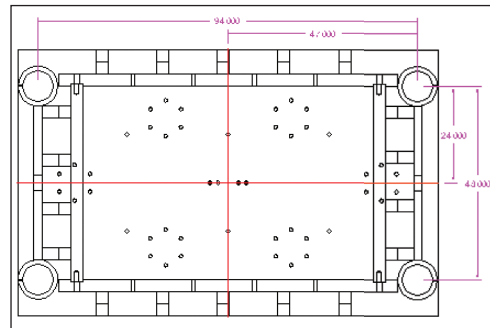
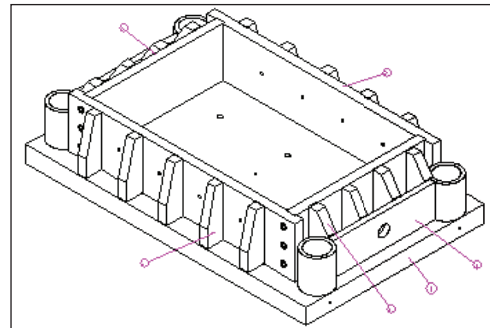
With a stock of over 4,000 tons of steel, Anchor Danly is a leading buyer of steel and steel products, sourced directly from top mills. Our materials are fully traceable to their origins, ensuring quality and reliability. Our established supply chain allows us to offer fast delivery and exceptional service to our customers.

### Machining Expertise:

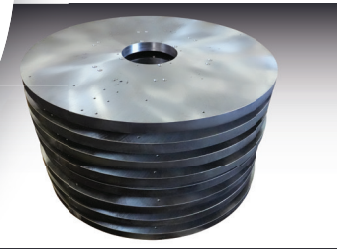
With over a century of machining expertise across four facilities, Anchor Danly is equipped to handle large programs and extensive weldment projects. Our state-of-the-art machinery and skilled personnel ensure high-quality, precision results.

### Skilled Workforce:

From our engineering team to technical sales personnel and expert welders on the shop floor, Anchor Danly provides the expertise needed to help our customers stay competitive in global markets.

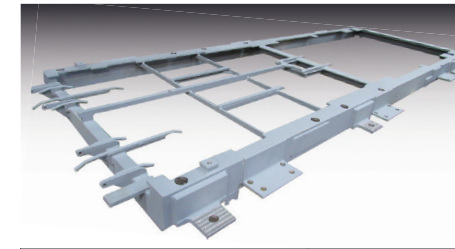


## FABRICATION PROCESS EXPERTISE



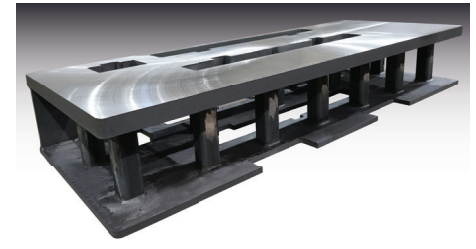
**DIALS AND PLATES**

As a trusted solutions provider to the robotics and automation industries, Anchor Danly produces high-quality, precision-engineered components such as dials, plates, and other custom parts.



**PRECISION-GROUND MACHINE BASES**

Our custom-built frames and bases are designed to meet exact specifications, with options for pockets, holes, dowels, and precision Blanchard-ground surfaces. Our applications engineers work with you to provide optimal base solutions.



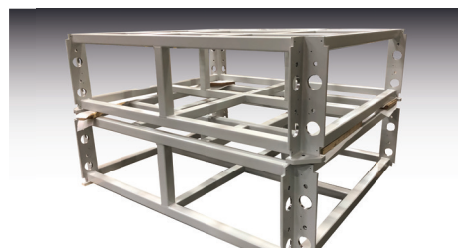
**CUTTING AND GRINDING**

Cutting, stress relieving, and precision grinding form the core of Anchor Danly's processing capabilities. With over 35 Blanchard grinding systems across our facilities, we ensure complete process control and quality.



**CUSTOM AUTOMATION BASE**

Built precisely to CAD specifications, we cut, weld, machine, and paint to your requirements, accelerating the delivery of complex systems for automation integrators.



**CUSTOM PAINTING**

Anchor Danly delivers weldments tailored to your exact paint specifications, packaged to meet your requirements, and shipped reliably across North America.



**MACHINE BASES**

For over 40 years, we have been constructing custom machine bases to the highest standards for industries including printing, machine tooling, materials testing, and press manufacturing.

## The Anchor Danly Advantage:



*At Anchor Danly we act as an extension of your in-house production engineering resources providing industry expertise to help you compete. From our turnkey weldments, tables and bases to our custom industrial fabrications delivered on budget, we help you compete in your market.*